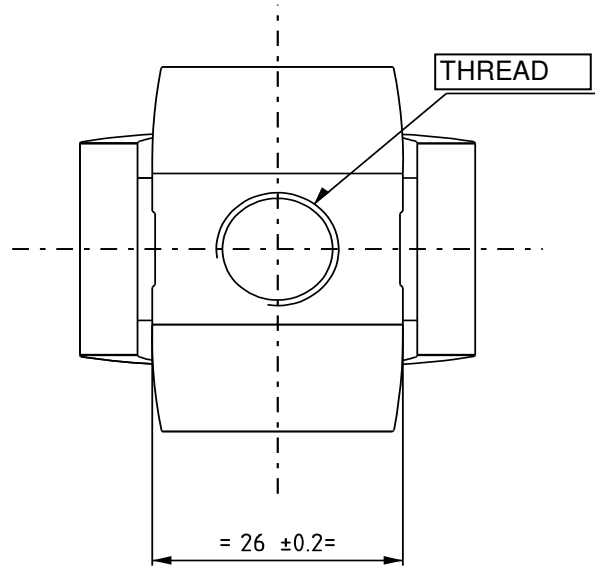
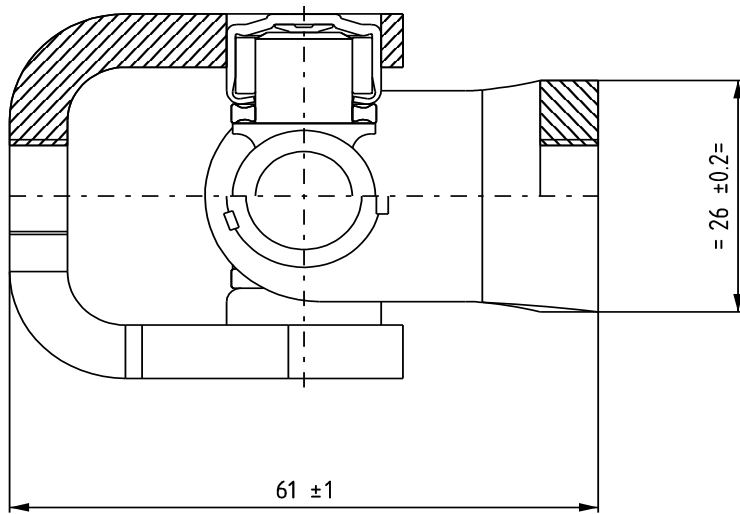


# UNIVERSAL JOINTS FOR INDUSTRIAL APPLICATIONS Ø42

## THREADED JOINT



THREAD	REFERENCE
M12 - ISO	5404.01
1/2" UNF	5514.01
OTHER	CONTACT US